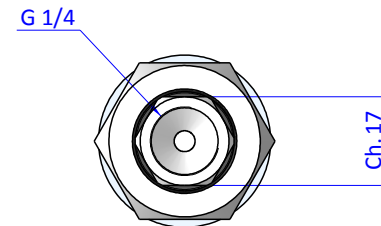
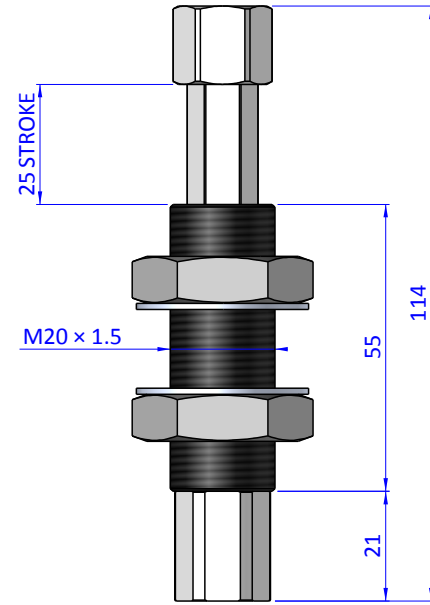
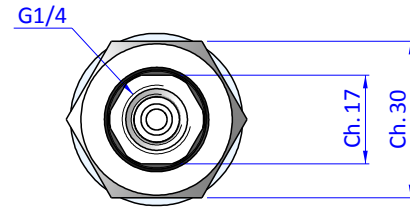
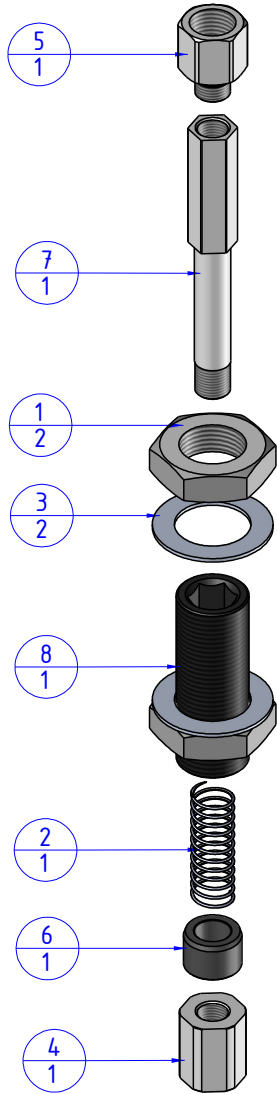


THE PROPERTY OF THE DRAWING IS ESTABLISHED BY LAW. IT IS FORBIDDEN TO PRODUCE OR SHOW IT TO THIRD PARTY, WITHOUT A WRITTEN AGREEMENT.

Item	Name	Q.ty
1	05.02.001.06	2
2	M.12X39.50	1
3	R.20.SCH	2
4	VSN.20.1.14	1
5	VSN.20.2.14	1
6	VSN.2025.3	1
7	VSN.2025.4	1
8	VSNG.2025.2.1	1



Format A3

UNI 936-76

		DESIGNED FROM	REVIEW
		FP SERVICES	A
GENERAL TOLERANCE	DESCRIPTION	DATE	WEIGHT
UNI - ISO 2768	CA.SDNG.2025.14	24/10/2018	0,092kg
CLASSE f		CODE	
			CA.SDNG.2025.14